



**Standard Glass™**

Customer Inspired Excellence

# *Storage Tanks*

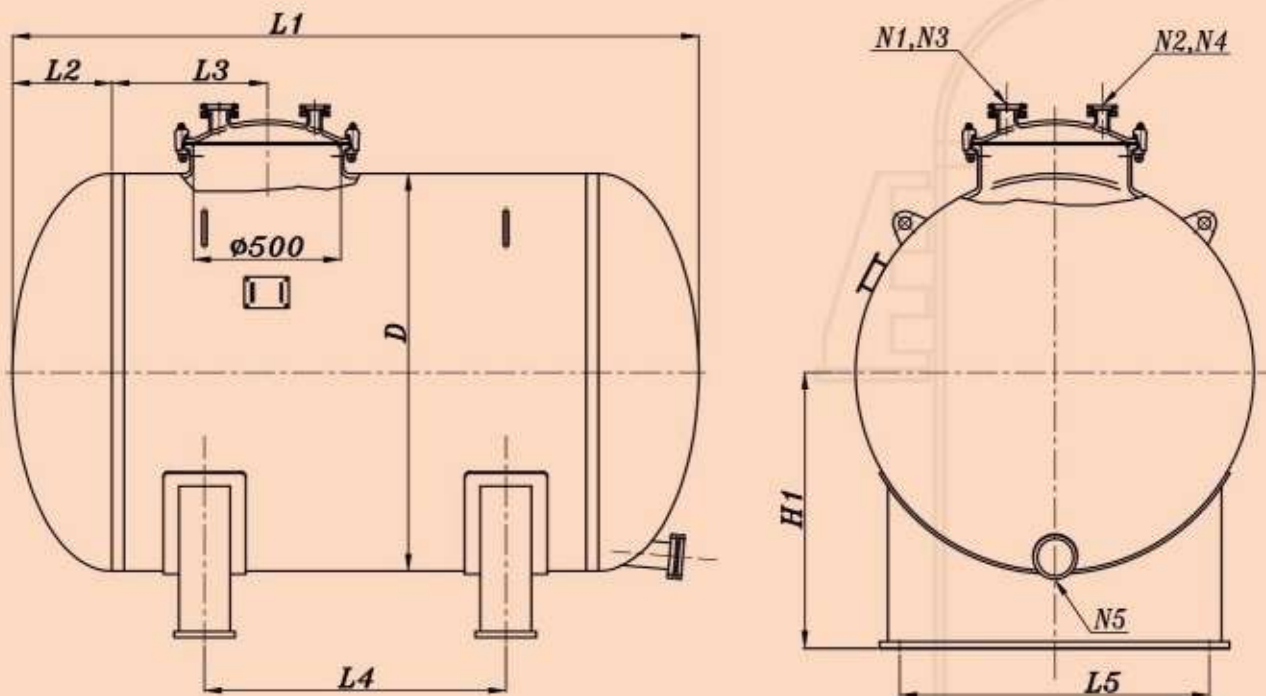


## **Introduction**

These equipment are manufactured in vertical and horizontal models, capacities ranging from 2000 to 16000 liters as horizontal and 500 to 16000 liters as vertical models.

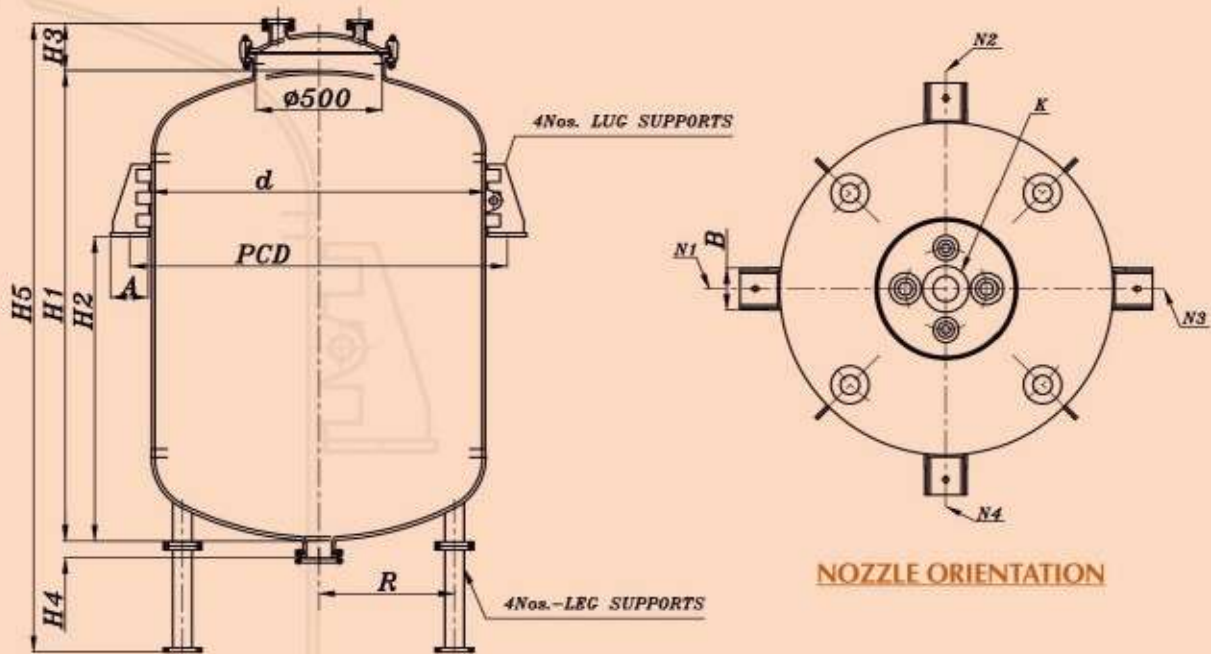
# GEOMETRICAL DATA

## HORIZONTAL STORAGE TANK



| Capacity<br>Ltrs. | Process Nozzles<br>DN |    |    |    | Outlet<br>DN | Main Dimensions (mm) |                     |     |     |      |      |      | Total<br>Volume<br>Ltrs. | Total<br>Weight<br>Kg |
|-------------------|-----------------------|----|----|----|--------------|----------------------|---------------------|-----|-----|------|------|------|--------------------------|-----------------------|
|                   | N1                    | N2 | N3 | N4 |              | N5                   | Vessel<br>Dia.<br>D | L1  | L2  | L3   | L4   | L5   |                          |                       |
| 2000              | 80                    | 50 | 80 | 50 | 100          | 1400                 | 1725                | 286 | 600 | 750  | 1125 | 1020 | 2210                     | 1862                  |
| 3000              | 80                    | 50 | 80 | 50 | 100          | 1600                 | 2000                | 320 | 600 | 1040 | 1295 | 1115 | 3355                     | 2605                  |
| 4000              | 80                    | 50 | 80 | 50 | 100          | 1800                 | 2085                | 370 | 600 | 945  | 1460 | 1220 | 4403                     | 3120                  |
| 5000              | 80                    | 50 | 80 | 50 | 100          | 2000                 | 2125                | 406 | 600 | 915  | 1630 | 1315 | 5502                     | 3561                  |
| 6300              | 80                    | 50 | 80 | 50 | 100          | 2000                 | 2625                | 406 | 600 | 1415 | 1630 | 1315 | 7000                     | 4005                  |
| 8000              | 80                    | 50 | 80 | 50 | 100          | 2200                 | 2800                | 560 | 600 | 1250 | 1800 | 1420 | 8832                     | 4935                  |
| 10000             | 80                    | 50 | 80 | 50 | 100          | 2400                 | 2940                | 611 | 600 | 1215 | 1980 | 1515 | 10920                    | 5833                  |
| 12500             | 80                    | 50 | 80 | 50 | 100          | 2400                 | 3600                | 611 | 600 | 1875 | 1980 | 1515 | 13783                    | 6605                  |
| 16000             | 80                    | 50 | 80 | 50 | 100          | 2800                 | 3450                | 716 | 600 | 1520 | 2330 | 1715 | 17664                    | 9558                  |
| 20000             | 80                    | 50 | 80 | 50 | 100          | 2800                 | 4130                | 716 | 600 | 2200 | 2330 | 1715 | 22088                    | 11000                 |

## VERTICAL STORAGE TANK



**NOZZLE ORIENTATION**

| Capacity<br>Ltrs. | Process Nozzles<br>DN |    |    |    | Outlet<br>DN<br>K | Vessel<br>Dia.<br>D | Main Dimensions (mm) |      |     |     |      |      |     |     |      | Total<br>Volume<br>Ltrs. | Total<br>Weight<br>Kg |
|-------------------|-----------------------|----|----|----|-------------------|---------------------|----------------------|------|-----|-----|------|------|-----|-----|------|--------------------------|-----------------------|
|                   | N1                    | N2 | N3 | N4 |                   |                     | H1                   | H2   | H3  | H4  | H5   | R    | A   | B   | PCD  |                          |                       |
| 500               | 80                    | 50 | 80 | 50 | 100               | 1000                | 944                  | 389  | 250 | 108 | 1802 | 425  | 164 | 200 | 1256 | 590                      | 700                   |
| 1000              | 80                    | 50 | 80 | 50 | 100               | 1200                | 1210                 | 565  | 250 | 106 | 2066 | 470  | 170 | 200 | 1460 | 1100                     | 900                   |
| 1600              | 80                    | 50 | 80 | 50 | 100               | 1400                | 1425                 | 689  | 250 | 104 | 2279 | 565  | 178 | 200 | 1680 | 1775                     | 1350                  |
| 2000              | 80                    | 50 | 80 | 50 | 100               | 1400                | 1725                 | 989  | 250 | 104 | 2579 | 565  | 178 | 200 | 1680 | 2215                     | 1450                  |
| 3000              | 80                    | 50 | 80 | 50 | 100               | 1600                | 2000                 | 1222 | 250 | 100 | 2850 | 630  | 212 | 220 | 1880 | 3353                     | 2200                  |
| 4000              | 80                    | 50 | 80 | 50 | 100               | 1800                | 2085                 | 1215 | 250 | 100 | 3035 | 720  | 227 | 250 | 2110 | 4400                     | 2700                  |
| 5000              | 80                    | 50 | 80 | 50 | 150               | 2000                | 2125                 | 1219 | 250 | 100 | 3075 | 795  | 227 | 250 | 2314 | 5500                     | 3100                  |
| 6300              | 80                    | 50 | 80 | 50 | 150               | 2000                | 2625                 | 1719 | 250 | 100 | 3575 | 795  | 227 | 250 | 2314 | 7000                     | 3600                  |
| 8000              | 80                    | 50 | 80 | 50 | 150               | 2200                | 2800                 | 1740 | 275 | 98  | 3773 | 805  | 227 | 250 | 2514 | 8830                     | 4425                  |
| 10000             | 80                    | 50 | 80 | 50 | 150               | 2400                | 2940                 | 1829 | 275 | 98  | 3808 | 890  | 274 | 300 | 2768 | 10925                    | 5325                  |
| 12500             | 80                    | 50 | 80 | 50 | 150               | 2400                | 3600                 | 2489 | 275 | 98  | 4573 | 890  | 274 | 300 | 2768 | 13780                    | 6100                  |
| 16000             | 80                    | 50 | 80 | 50 | 150               | 2800                | 3450                 | 2185 | 275 | 93  | 4520 | 1020 | 274 | 300 | 3130 | 17667                    | 9050                  |
| 20000             | 80                    | 50 | 80 | 50 | 150               | 2800                | 4130                 | 2865 | 275 | 93  | 5198 | 1020 | 274 | 300 | 3130 | 22090                    | 10500                 |

### NOTES:

1. All Dimensions are in 'mm', unless otherwise specified.
2. Without Prior notice, Specifications are subject to change for continual improvement.
3. Custom built capacities can also be manufactured on customer request.

## 1. Codes & Standards

|   |                       |   |
|---|-----------------------|---|
| 1 | Design & Construction | ASME Sec. VIII, Division – I, Latest Edition. |
| 2 | Flange Drilling       | ANSI - B 16.5, #150                           |

## 2. Design Data

| Sl. No. | Description                      | Units                  | Details            |
|---------|----------------------------------|------------------------|--------------------|
| 1       | Pressure                         | Kg/cm <sup>2</sup> (g) | F.V. to 6          |
| 2       | Temperature                      | °C                     | -28.8 to 200       |
| 3       | Corrosion Allowance (Base Metal) | mm                     | 1.5                |
| 4       | Weld Joint Efficiency            | ...                    | 1.0                |
| 5       | Glass Lining Thickness           | mm                     | Min. 1.0, Max. 2.0 |

## 3. Optional Features

|   |   |
|---|---|
| 1 | Flush Bottom Valve with / without RTD sensor & Tantalum tip (For vertical storage tank) |
| 2 | PTFE Lined Dip Pipe   |
| 3 | PTFE 'J' Pipe   |
| 4 | PTFE spray ball assembly  |